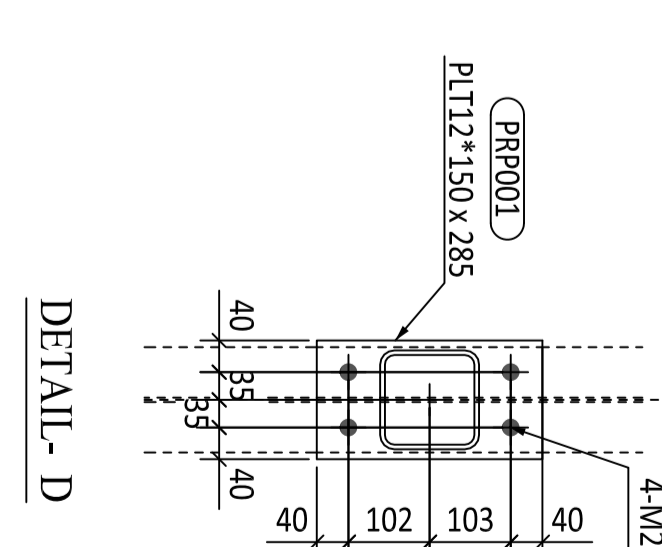
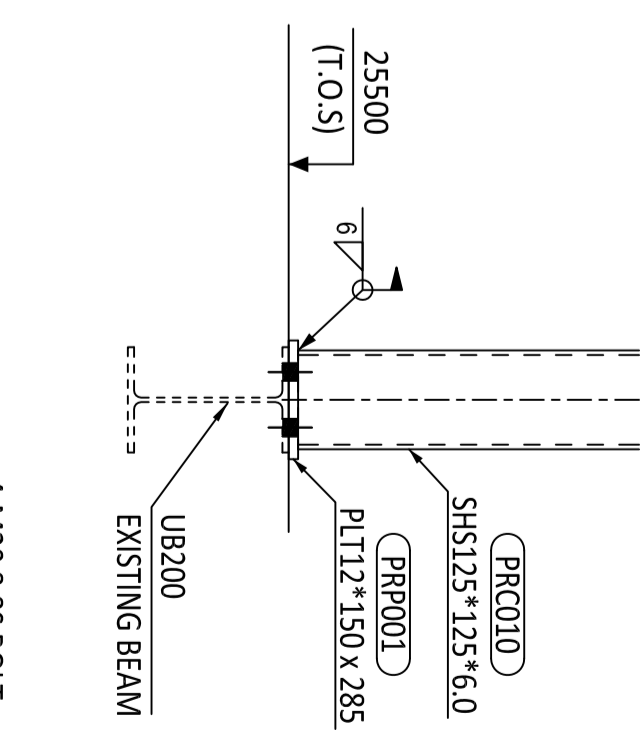
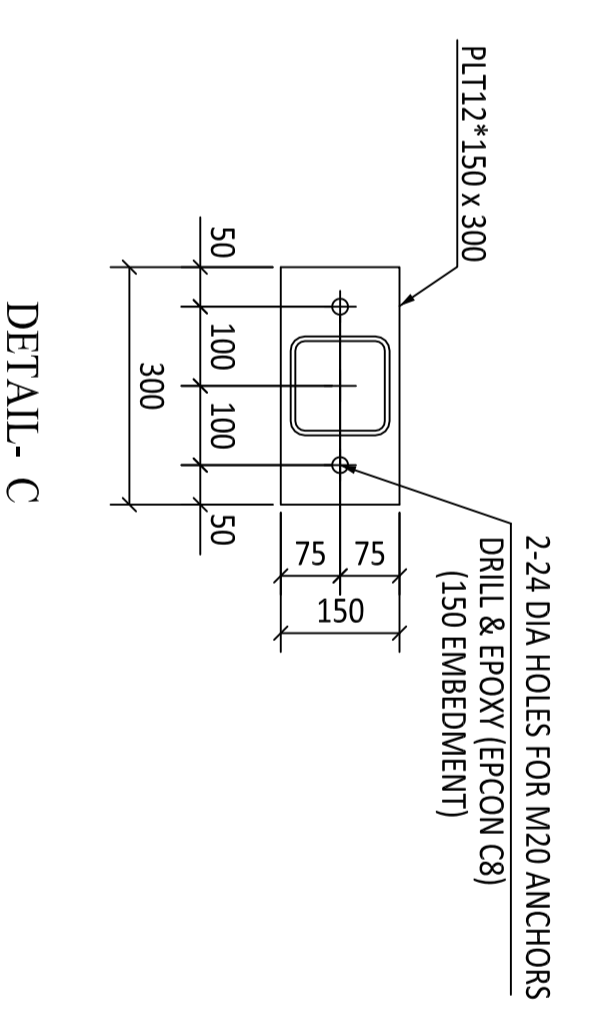
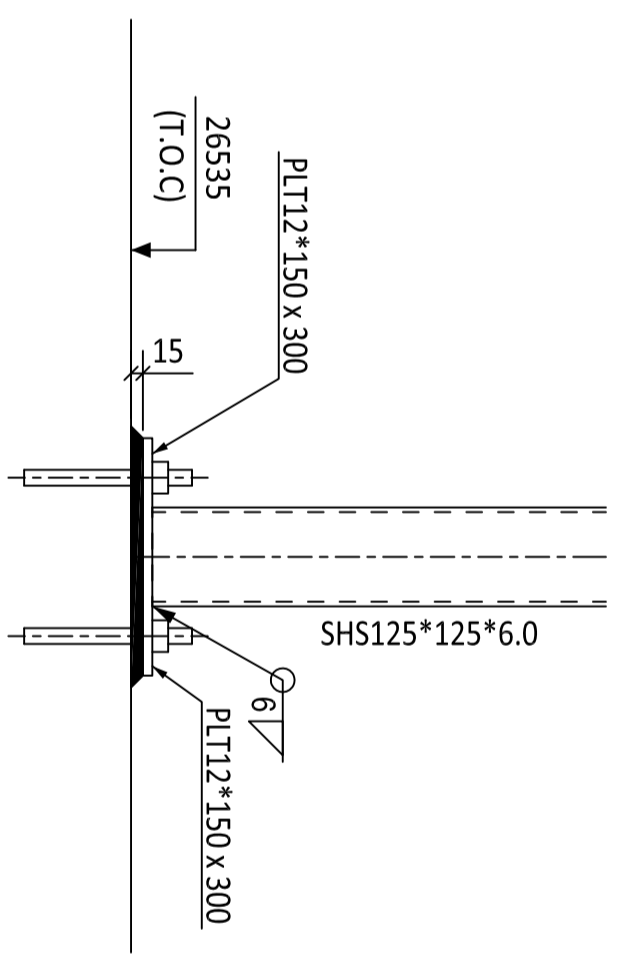
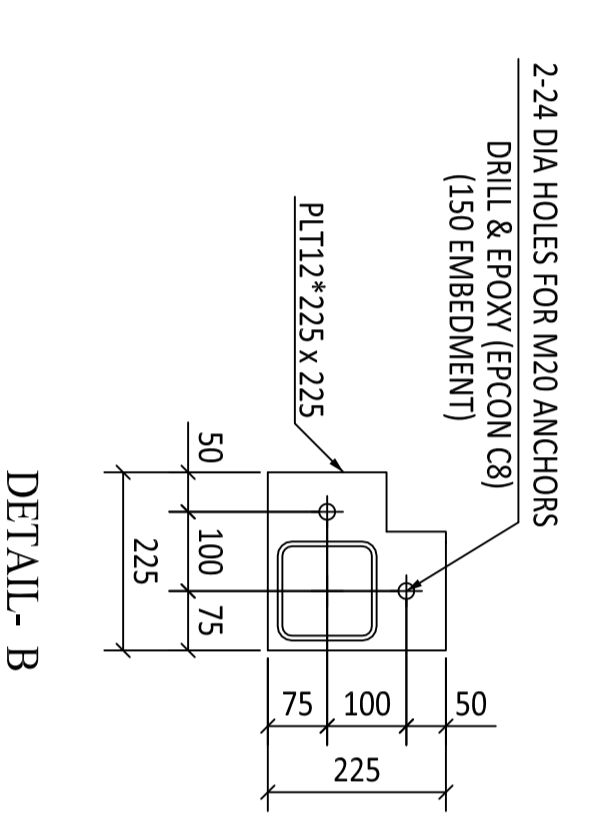
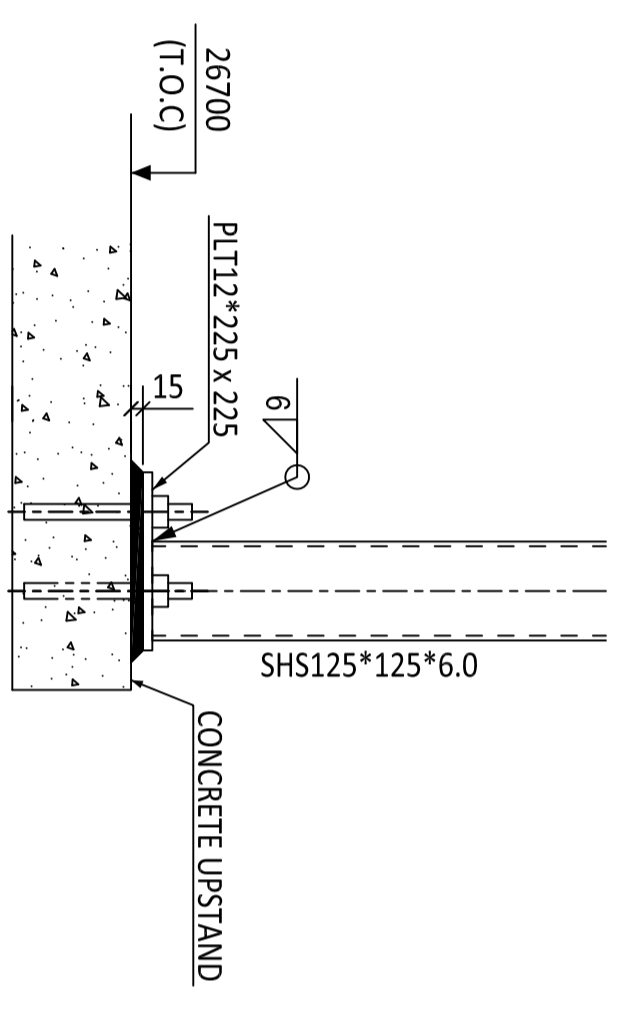
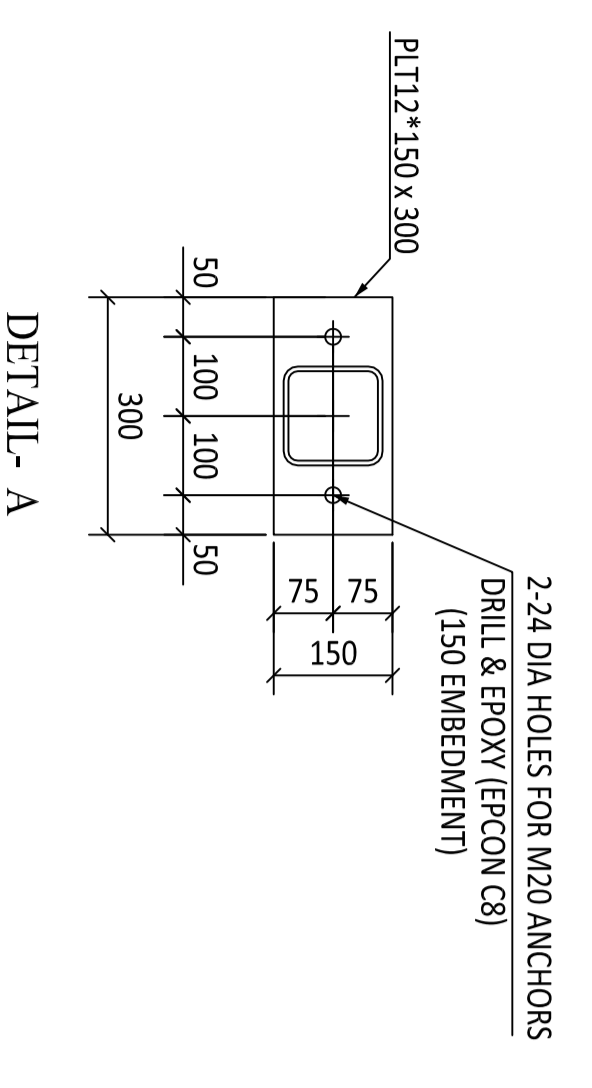
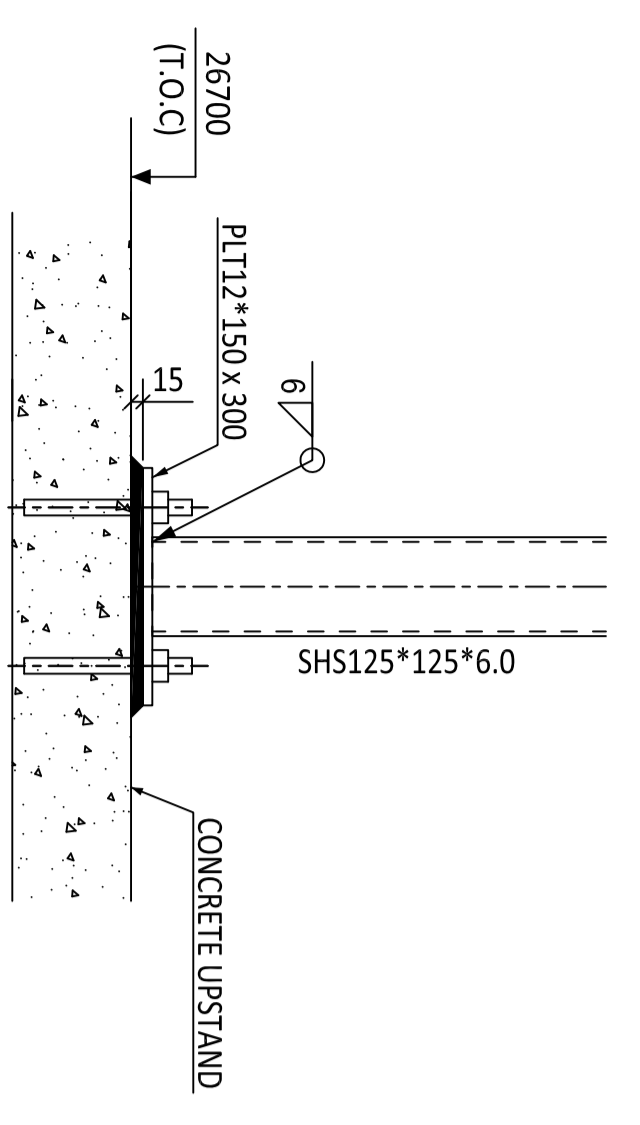


PLAN AT BASE PLATE LEVEL
ROOF PLANT ROOM



Please verify the clouded informations.

All Structural Steel Shall confirm to be Grade 300 (AS/NZS) UNO
All Connection bolts to be grade 8.8S UNO

0	12.12.19	ISSUED FOR CONSTRUCTION	SIT	ARCHITECT
B	23.11.19	ISSUED FOR APPROVAL	SIT	
A	18.10.19	ISSUED FOR APPROVAL	SIT	
REV	DATE	AMENDMENT	BY	

CLIENT:

PROJECT TITLE:

DRAWING TITLE:

DATE:	DESIGNED:	DWG No	JOB No
DRAWN:	CHECKED:	GA100	
SHEET SIZE: A1	SCALE: N.T.S @ A1	REVISION	
		0	

NOTE: Do not scale off drawings, use figured dimensions only.