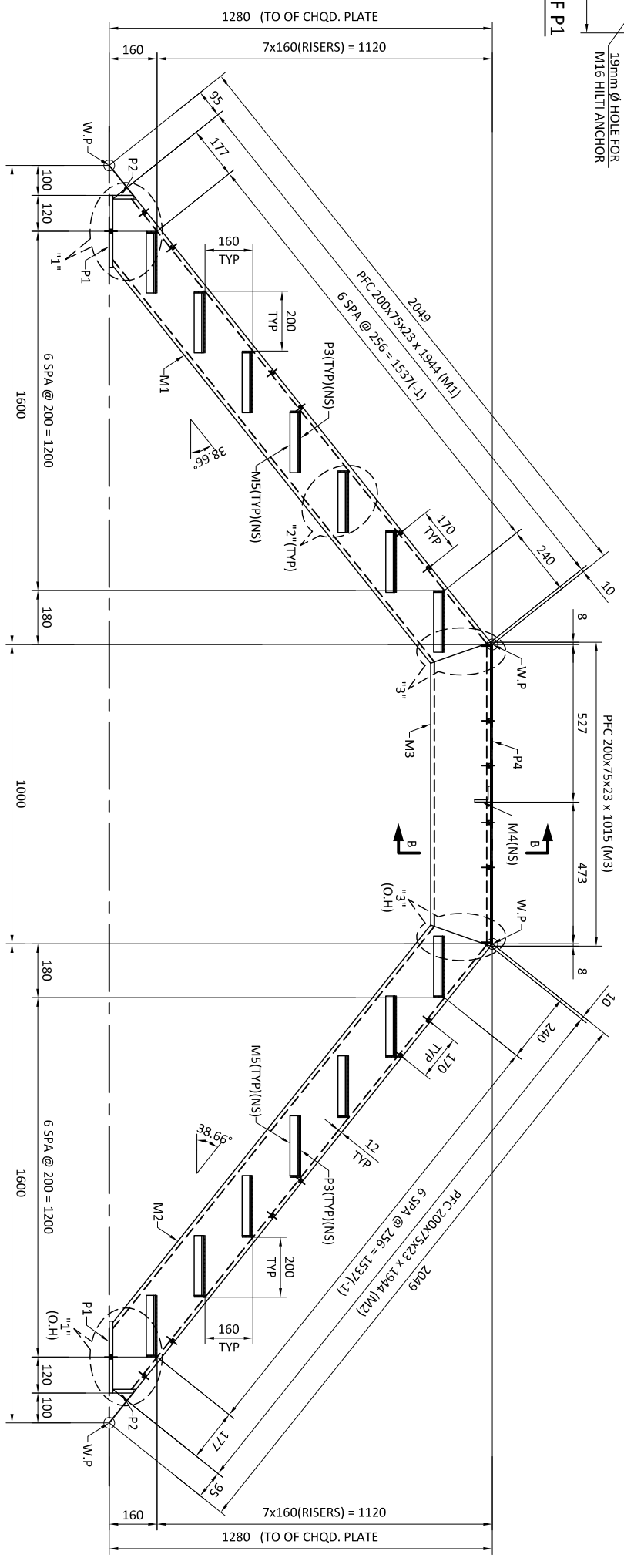


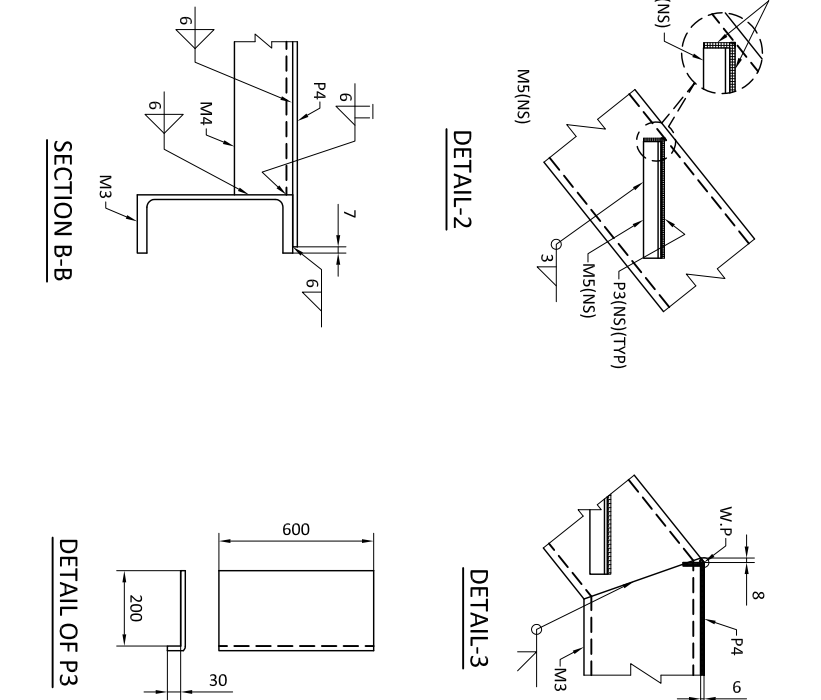
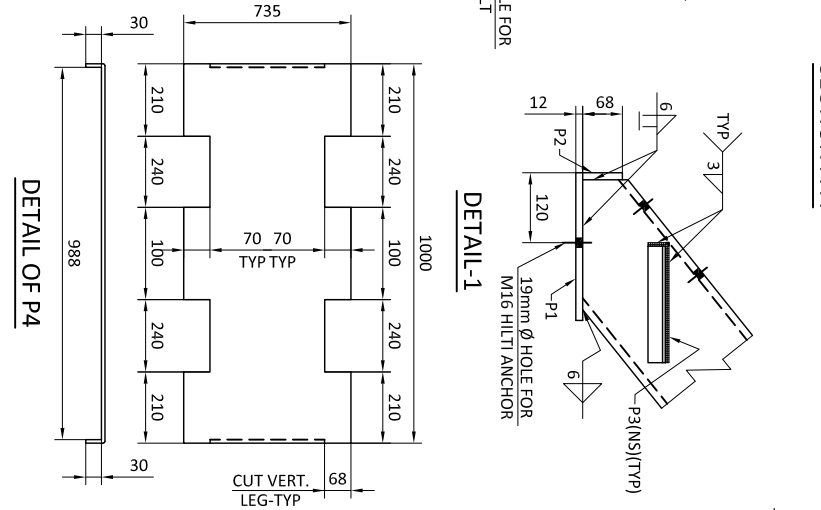
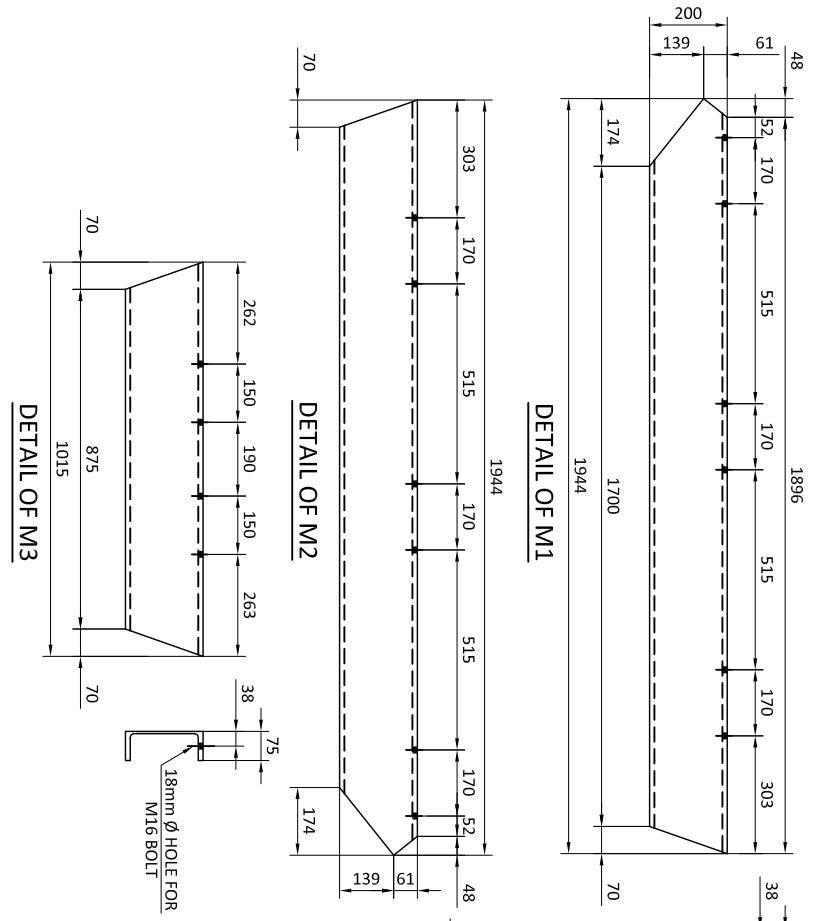
21 STAIR REQD AS DRAWN MK'D S1

BILL OF MATERIAL				
S1- 21 SET (ONE set for each building)				
MARK	SIZE	LENGTH	QTY.	WEIGHT REMARK
M1	PFC200x75x23	1944	42	1910.60
M2	PFC200x75x23	1944	42	1910.60
M3	PFC200x75x23	1015	42	997.50
M4	L75x75x8	600	21	113.19
M5	L30x30x4	200	588	209.37
P1	PL.12x75	250	84	148.26
P2	PL.12x75	68	84	40.32
P3	CHQD. PL.6x230	600	294	1910.60
P4	CHQD. PL.6x735	1048	21	761.67
TOTAL WEIGHT (KG)				8002.05

FIELD BOLT	
M16x100 HILTI ANCHOR	84 NOS



SECTION A-A



GENERAL NOTES

- 1- ALL DIMENSIONS ARE IN MILLIMETERS(mm) U.N.O
- 2- ALL STRUCTURAL STEEL SHALL BE S275 JR
- 3- ALL WELD SHALL BE 6mm U.N.O
- 4- COATING SCHEDULE I UN.
- 5- COLOUR CODE- LIGHT GREY

REFERENCE DRAWINGS

DRAWING NO.	TITLE

CHECKED BY: SKETCH PREPARED BY:

REV.	DESCRIPTION	DATE	DWN	CHKD	APPD	APPD

MAIN CONTRACTOR:	
TITLE	
DRAWING NUMBER:	
SCALE	
Sht.	Cont. on

THIS IS A CAD DRAWING AND MUST NOT BE ALTERED MANUALLY
 ORG DWG SIZE: REV